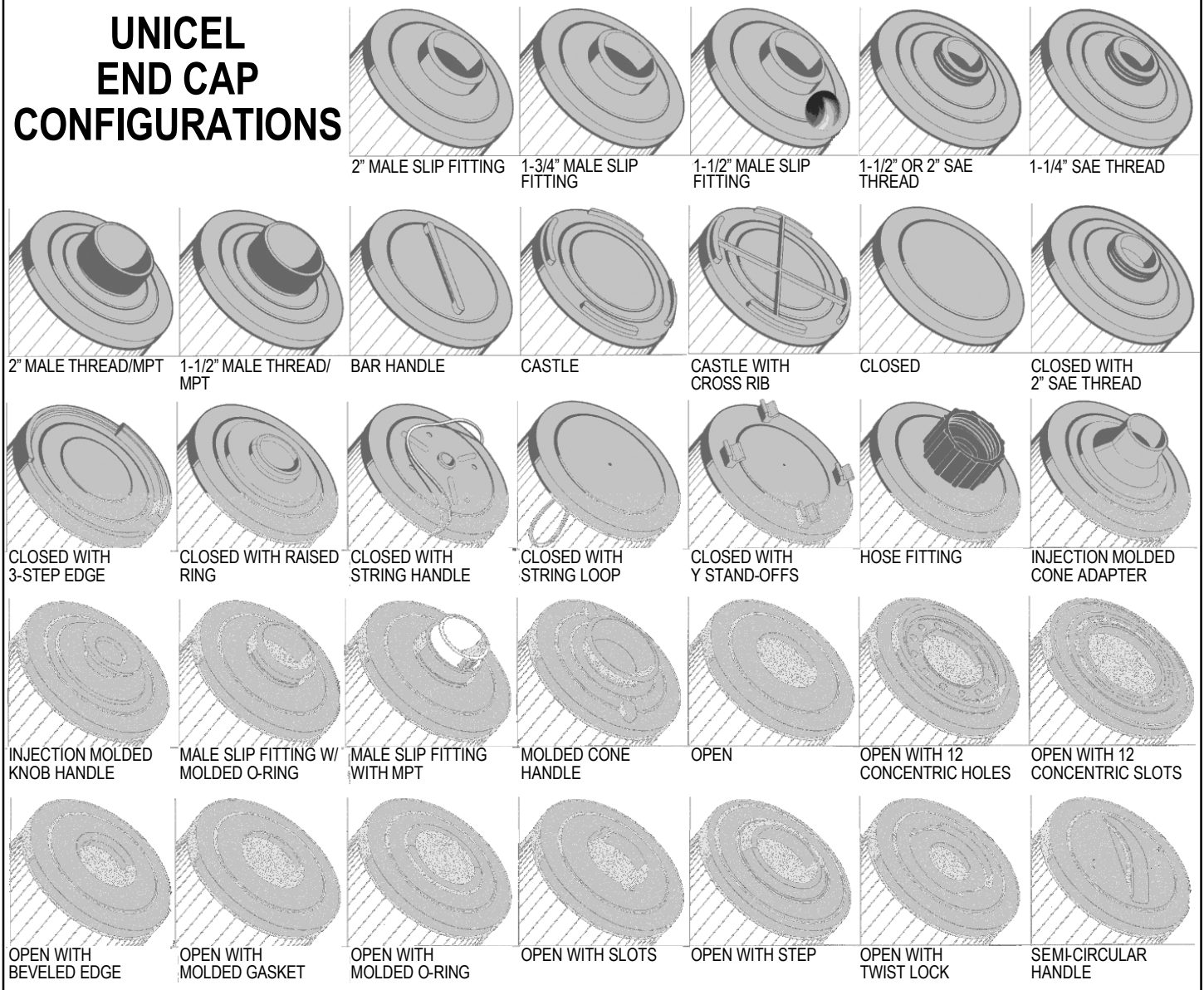
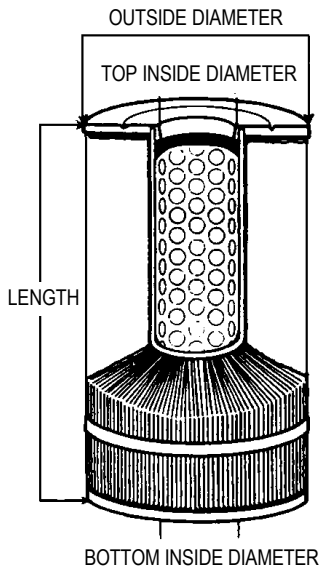


# UNICEL END CAP CONFIGURATIONS



## HOW TO FIND A UNICEL FILTER CARTRIDGE REPLACEMENT



- A. RECORD THE OEM NAME AND MODEL OF THE FILTER THE CARTRIDGE CAME OUT OF (IF POSSIBLE).
- B. MEASURE THE OUTSIDE DIAMETER OF THE CARTRIDGE (IN INCHES, +/- 1/32")
- C. MEASURE THE CARTRIDGE LENGTH (IN INCHES, +/- 1/16") EXCLUDING ANY HANDLES OR OTHER EXTENSIONS. UNICEL RECOMMENDS MEASURING THROUGH THE CENTER (IF POSSIBLE) NOT THE OUTSIDE EDGE.
- D. IDENTIFY THE TYPE OF CARTRIDGE TOP AND BOTTOM USING THE CHART (AT RIGHT). IF THE TOP AND/OR BOTTOM IS "OPEN", MEASURE THE INSIDE DIAMETER (IN INCHES, +/- 1/32") OF THE TOP AND/OR BOTTOM.
- E. COUNT THE NUMBER OF PLEATS (+/- 2), AND NOTE WHETHER THERE IS A CENTER CORE OR NOT.